



Empowered by
U-LINK

BOLLARDS

Range of traffic control bollards



Be ahead



STOPPY B

Electromechanical bollard

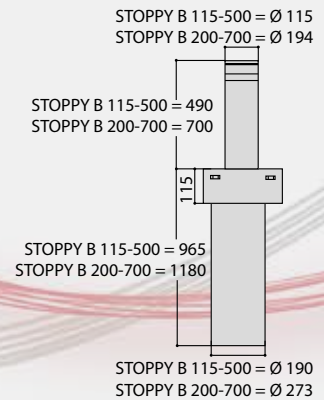
These electromechanical bollards are designed to provide a solution for traffic management and security across a wide range of environments. The Stoppy B comes in two versions, 500mm in height and 115mm diameter, and 700mm in height and 200mm diameter. The 700 mm version is equipped with an LED light crown. Both versions are available in two finishes: painted steel coloured RAL 7015 or stainless steel.



STOPPY B 115/500



STOPPY B 219/500-700



SPECIFICATIONS

	STOPPY B 115/500	STOPPY B 200/700
Shaft diameter	115mm	200mm
Shaft height	500mm	700mm
Raising time	7 sec.	9 sec.
Control unit	PERSEO CBD	PERSEO CBD
Breaking resistance	6000J	6000J
Type of limit switch	reed magnetic sensor	reed magnetic sensor
Slowdown	yes	yes
Breaking resistance	6000J	6000J
Lock	electric brake	electric brake
Manual operation	reversible with no power	reversible with no power
Frequency of use	semi-intensive	semi-intensive
Ambient conditions	-20°C +60°C	-20°C +60°C

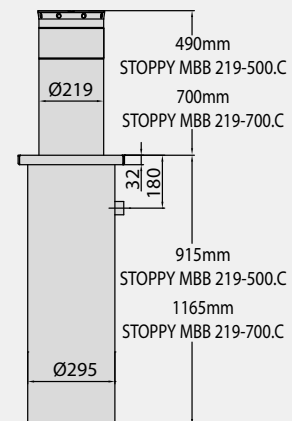


STOPPY MBB

Electromechanical bollard

These electromechanical bollards have an internal oil-bath gear motor which gives them a higher usage capability. The Stoppy-MBB is designed to work in the most extreme conditions, with cataphoresis treated metal parts and the new EPDM seal integrated in the flange. The LED light cap fits perfectly into the floor flange with the shaft lowered, drastically reducing the ingress of debris into the casing.

The Stoppy MBB comes in two versions 500mm or 700mm in height and 219mm diameter, all versions are equipped with an LED light crown and are available in two finishes: painted steel coloured RAL 7015 or stainless steel.



SPECIFICATIONS

	STOPPY MBB 219/500	STOPPY MBB 219/700
Shaft diameter	219mm	219mm
Shaft height	500 mm	700 mm
Raising time	6 sec.	9 sec.
Control unit	PERSEO CBD	PERSEO CBD
Impact resistance	10,500 Joule	10,500 Joule
Breaking resistance	150,000 Joule	150,000 Joule
Slowdown	yes	yes
Lock	electric brake	electric brake
Manual operation	reversible with no power	reversible with no power
Frequency of use	intensive 1,500 movements/day	intensive 1,500 movements/day
Ambient conditions	- 20° C + 60° C	- 20° C + 60° C
Movement	With slowdown in opening and closing	With slowdown in opening and closing
Supply voltage	230V ± 10% 50/60 Hz	230V ± 10% 50/60 Hz

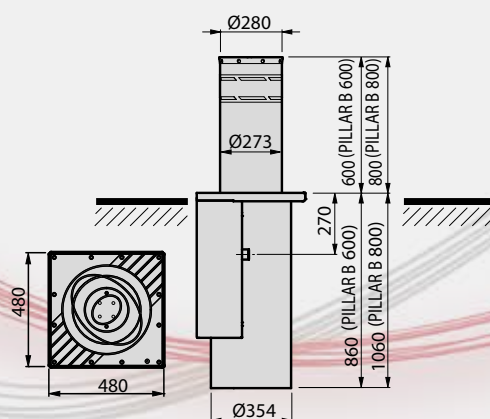


PILLAR B

Hydraulic bollard

A hydraulic bollard for very intensive use, with a range of models to suit a number of different applications. The Pillar B comes in two versions 600mm or 800mm in height and 275mm diameter, all versions are equipped with an LED light crown and are available in two finishes: painted steel coloured RAL 7015 or stainless steel.

The security device (SD) version is particularly suitable for sensitive sites such as ministries or airports, as the shaft raises in the event of a power failure. The standard version is suitable for public installations where the shaft must lower freeing the passage in the event of a power failure. These bollards have been designed and built with the aim of simplifying maintenance with the hydraulic pump located under the flange.



SPECIFICATIONS

	PILLAR B 275/600.6C LI/SD	PILLAR B 275/800.6C L/LI SD
Voltage	230 V	230 V
Shaft height	600mm	800mm
Shaft diameter	275mm	275mm
Shaft thickness	6mm	6mm
Raising time	5 sec.	6.5 sec.
Operator type	hydraulic bollards	hydraulic bollards
Control unit	PERSEO CBD 230.P SD	PERSEO CBD 230.P SD
Breaking resistance	250000J	250000J
Frequency of use	3000 Op/day	3000 Op/day
Type of limit switch	reed magnetic sensor	reed magnetic sensor
Impact resistance	20,000 J	20,000 J
Manual operation	reversible with no power	release key
Ambient conditions	-40°C +60°C	-40°C +60°C

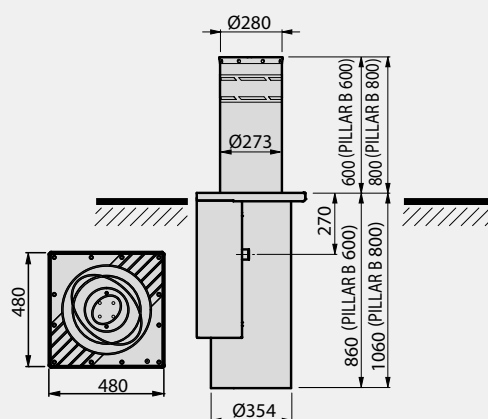


PILLAR B (10mm skin)

Hydraulic bollard

A hydraulic bollard for very intensive use, the crash-rated version of the Pillar B has a 10mm thick skin, compared to the standard 6mm skin on the standard Pillar B. The security device (SD) version is particularly suitable for sensitive sites such as ministries or airports, as the shaft raises in the event of a power failure.

The Pillar B is 800mm in height and 275mm diameter, all versions are equipped with an LED light crown and are available in two finishes: painted steel coloured RAL 7015 or stainless steel. These bollards have been designed and built with the aim of simplifying maintenance with the hydraulic pump located under the flange.



SPECIFICATIONS

	PILLAR B 800-10 LI FAIL SAFE	PILLAR B 800-10 LI FAIL SECURE	PILLAR B 800-10 LI STAINLESS STEEL FAIL SAFE	PILLAR B 800-10 LI STAINLESS STEEL FAIL SECURE
Voltage	230v	230v	230v	230v
Shaft height	800mm	800mm	800mm	800mm
Shaft diameter	275mm	275mm	275mm	275mm
Shaft thickness	10mm	10mm	10mm	10mm
Raising time	6.5 sec	6.5 sec	6.5 sec	6.5 sec
Operator type	hydraulic bollards	hydraulic bollards	hydraulic bollards	hydraulic bollards
Control unit	PERSEO CBD	PERSEO CBD	PERSEO CBD	PERSEO CBD
Frequency of use	3,000 Op/day	3,000 Op/day	3,000 Op/day	3,000 Op/day
Type of limit switch	reed magnetic sensor	reed magnetic sensor	reed magnetic sensor	reed magnetic sensor
Breaking resistance	66,7000 J	66,7000 J	66,7000 J	66,7000 J
Manual operation	reversible with no power	release key	reversible with no power	release key
Ambient conditions	-40°C +60°C	-40°C +60°C	-40°C +60°C	-40°C +60°C
IP rating	IP67	IP67	IP67	IP67



DAMPY B

Manual gas bollard

The Dampy manual gas-spring rising bollards are designed to offer road access control with an extremely quick and simple operation. The bollards are operated using special keys, lowered by pushing down and automatically locked into place at the bottom. They can be used in mixed installations to cover wide passages managed by both fixed, electric and gas operated bollards.

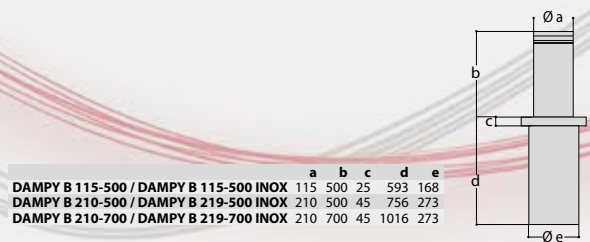
The Dampy B comes in three versions, 500mm in height and 115mm diameter and two versions of 500mm and 700mm in height with 219mm diameter. The 500mm and 700mm, 219mm versions are equipped with an LED light crown. All versions are available in two finishes: painted steel coloured RAL 7015 or stainless steel.



DAMPY B 115/500



DAMPY B 219/500-700



SPECIFICATIONS

	DAMPY B 115-500	DAMPY B 219-500	DAMPY B 219-700
Shaft height	500 mm	500 mm	700 mm
Shaft diameter	115mm	219mm	219mm
Shaft thickness	4mm	6mm	6mm
Impact resistance	5,000 Joule	10,000 Joule	10,000 Joule
Breaking resistance	30,000 Joule	60,000 Joule	60,000 Joule
Shaft treatment	cataphoresis	cataphoresis	cataphoresis
Shaft movement	with internal gas spring	with internal gas spring	with internal gas spring
Surface finish	grey paint RAL 7015 + rear-reflecting film	grey paint RAL 7015 + rear-reflecting film	grey paint RAL 7015 + rear-reflecting film
Shaft locking	with triangle key	with triangle key	with triangle key

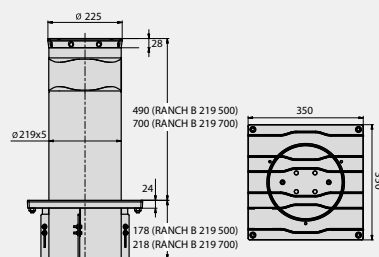
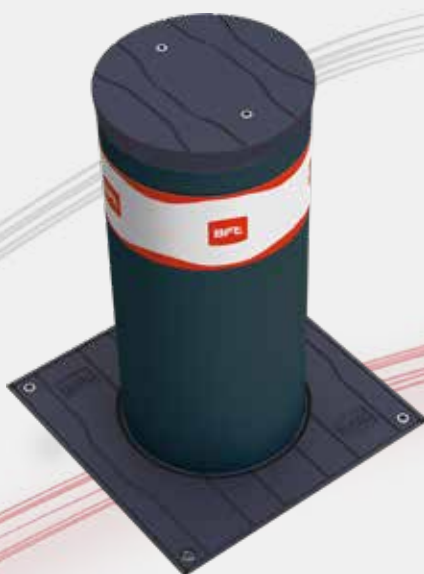


RANCH B & C

Fixed bollard

Ranch fixed bollards are designed to block an access point or road for a long period of time. The bollards are bolted down and can be installed alongside fully automatic or semi-automatic bollards as an integrated solution in a range of different sizes and types.

The Ranch B comes in two versions 500mm or 700mm in height and 219mm diameter; the Ranch C comes in two versions 600mm or 800mm in height and 275mm diameter. All versions are equipped with an LED light crown and are available in two finishes: painted steel coloured RAL 7015 or stainless steel. They are suitable for many types of environment.



SPECIFICATIONS

	RANCH B 219/500	RANCH B 219/700	RANCH C 275/600	RANCH C 275/800
Shaft height	500mm	700mm	600mm	800mm
Shaft diameter	219mm	219mm	275mm	275mm
Shaft thickness	3mm	3mm	6mm	6mm
Shaft treatment	cataphoresis	cataphoresis	RAL 7015 painted steel	RAL 7015
Breaking resistance	150000 J	150000 J	250000J	250000J

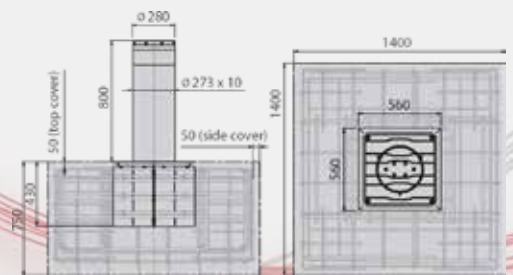


RANCH D

Fixed bollard

Fixed bollards suitable for protecting sensitive sites and ideal when used for long-term access prevention. The Ranch D can be integrated with the XPASS B 800 automatic anti-terrorism bollard into a suitable configuration to help provide the required high level of protection for a defined area.

The Ranch D is 800mm in height and 275mm diameter, all versions are equipped with an LED light crown and are available in two finishes: painted steel coloured RAL 7015 or stainless steel. They are suitable for many types of environment.

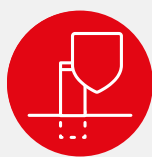


*The metal cage in the figure is not supplied.

SPECIFICATIONS

	RANCH D 275/800 C L	RANCH D 275/800 C LI
Operator type	fixed bollards	fixed bollards
Shaft height	800mm	800mm
Shaft diameter	275mm	275mm
Shaft thickness	10mm	10mm
Shaft treatment	RAL 7015 painted steel	AISI 304 or AISI 316 stainless steel
Break-in resistance	667000 J	667000 J

*if the code contains LI: LI= AISI 304 or AISI 316 stainless steel available on request

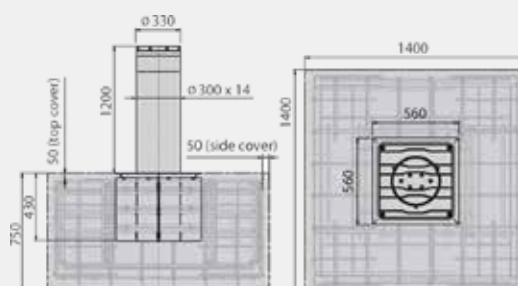
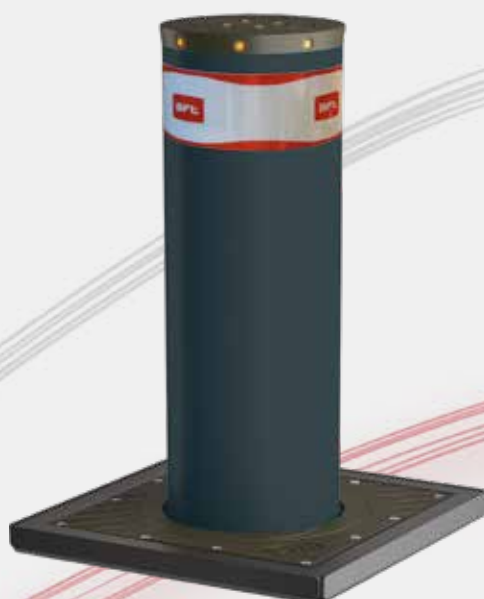


RANCH E

Fixed bollard

The Ranch E is a fixed anti-terrorism bollard, 1200mm in height and 330mm diameter, all versions are equipped with an LED light crown and are available in two finishes: painted steel coloured RAL 7015 or stainless steel. They are suitable for many types of environment.

The Ranch E can be integrated with the XPASS B 1200 automatic anti-terrorism bollard into a suitable configuration to help provide the required high level of protection for a defined area.



*The metal cage in the figure is not supplied.

SPECIFICATIONS

	RANCH E 330/1200 LI
Operator type	fixed bollards
Shaft height	1200mm
Shaft diameter	330mm
Shaft thickness	14mm
Shaft treatment	AISI 316L stainless steel version
Break-in resistance	2100000 J



XPASS B 800

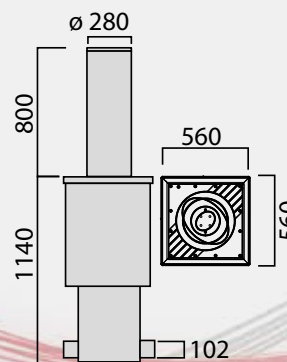
Anti-terrorism bollard

Anti-terrorism bollards tested and certified (crash-tested) by an independent body according to both IWA 14-1:2013 movable bollard V/7200(N2A)/48/90:5.5 and PAS68: 2013 movable bollard V/7500 (N2)/48/90:5.2/- standards. Each bollard has an independent pump so that in the event of a control unit failure, the other bollards in the environment remain functional. The XPASS B 800 can be integrated with the Ranch D fixed bollard, into a suitable configuration to help provide the required high level of protection for a defined area.

The XPASS B 800 is 800mm in height and 275mm diameter, all versions are equipped with an LED light crown and are available in two finishes: painted steel coloured RAL 7015 or stainless steel. They are suitable for many types of environment.



XPASS B
275/800



SPECIFICATIONS

	XPASS B 275/800C L	XPASS B 275/800C L LSD
Operator	hydraulic bollard	hydraulic bollard
Voltage	230v	230v
Shaft height	800mm	800mm
Thickness	10mm	10mm
Shaft diameter	275mm	275mm
Rising time	7 sec.	7 sec.
Shaft treatment*	RAL 7015 painted steel and reflective film h: 100 mm	RAL 7015 painted steel and reflective film h: 100 mm
Lowering time	4 sec.	4 sec.
Control unit	PERSEO CBE 230.P SD	PERSEO CBE 230.P SD
Break-in resistance	800000J	800000J
Frequency of use	2000 Op/day	2000 Op/day
Antiterrorism reference standard	PAS68:2013 rising bollard V/7500 (N2)/48/90 IWA14-1:2013 rising bollard V/7200 (N2A)/48/90	PAS68:2013 rising bollard V/7500 (N2)/48/90 IWA14-1:2013 rising bollard V/7200 (N2A)/48/90
Type of limit switch	reed magnetic sensor	reed magnetic sensor
Manual operation	reversible with no power	reversible with mechanical key with no power
Ambient conditions	-40°C +60°C	-40°C +60°C

*if the code contains LI: LI= AISI 304 or AISI 316 stainless steel available on request

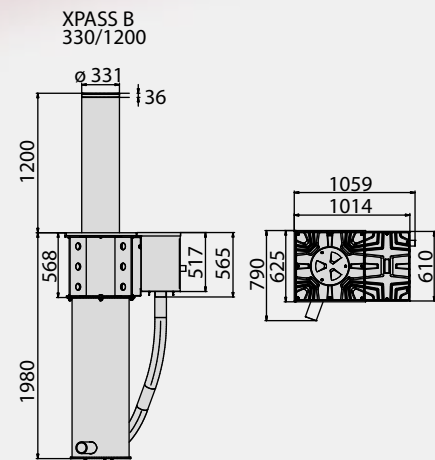


XPASS B 1200

Anti-terrorism bollard

Anti-terrorism bollard tested and certified (crash-tested) by an independent company according to standards IWA14-1:2013 Bollard V/7200(N3C)/80/90:4.6. Each bollard has an independent pump so that in the event of a control unit failure, the other bollards in the environment remain functional. The XPASS B 1200 can be integrated with the Ranch E fixed bollard, into a suitable configuration to help provide the required high level of protection for a defined area.

The XPASS B 1200 is 1200mm in height and 330mm diameter, all versions are equipped with an LED light crown and are available in a stainless steel finish. They are suitable for many types of environment.

SPECIFICATIONS

	XPASS B 330/1200C L	XPASS 330/1200C L EFO
Operator	hydraulic bollard	hydraulic bollard
Voltage	230v	230v
Shaft height	1200mm	1200mm
Thickness	25mm	25mm
Shaft diameter	330mm	330mm
Rising time	max 5.3 sec.	max 5.3 sec. (1.5 sec. for emergency)
Shaft treatment*	RAL 7015 painted steel and reflective film h: 100 mm	RAL 7015 painted steel and reflective film h: 100 mm
Lowering time	4 sec.	4 sec.
Control unit	PERSEO CBE 230.P SD	PERSEO CBE 230.P SD
Break-in resistance	2100000J	2100000J
Frequency of use	2000 Op/day	2000 Op/day
Antiterrorism reference standard	IWA14-1:2013 V/7200(N3C)/80/90	IWA14-1:2013 V/7200(N3C)/80/90
Type of limit switch	reed magnetic sensor	reed magnetic sensor
Manual operation	reversible with mechanical key with no power	reversible with mechanical key with no power
Ambient conditions	-40°C +60°C	-40°C +60°C

*if the code contains LI: LI= AISI 304 or AISI 316 stainless steel available on request



North Office

Units C2-C3 The Embankment
Business Park, Vale Road, Heaton
Mersey, Stockport, SK4 3GL

T. 0161 456 0456
F. 0161 456 9090
E. north.uk@bft-automation.com

South Office

Enterprise House, Murdock Road,
Dorcan, Swindon
SN3 5HY

T 01488 674 750
F 01488 674 790
E. south.uk@bft-automation.com



Be ahead