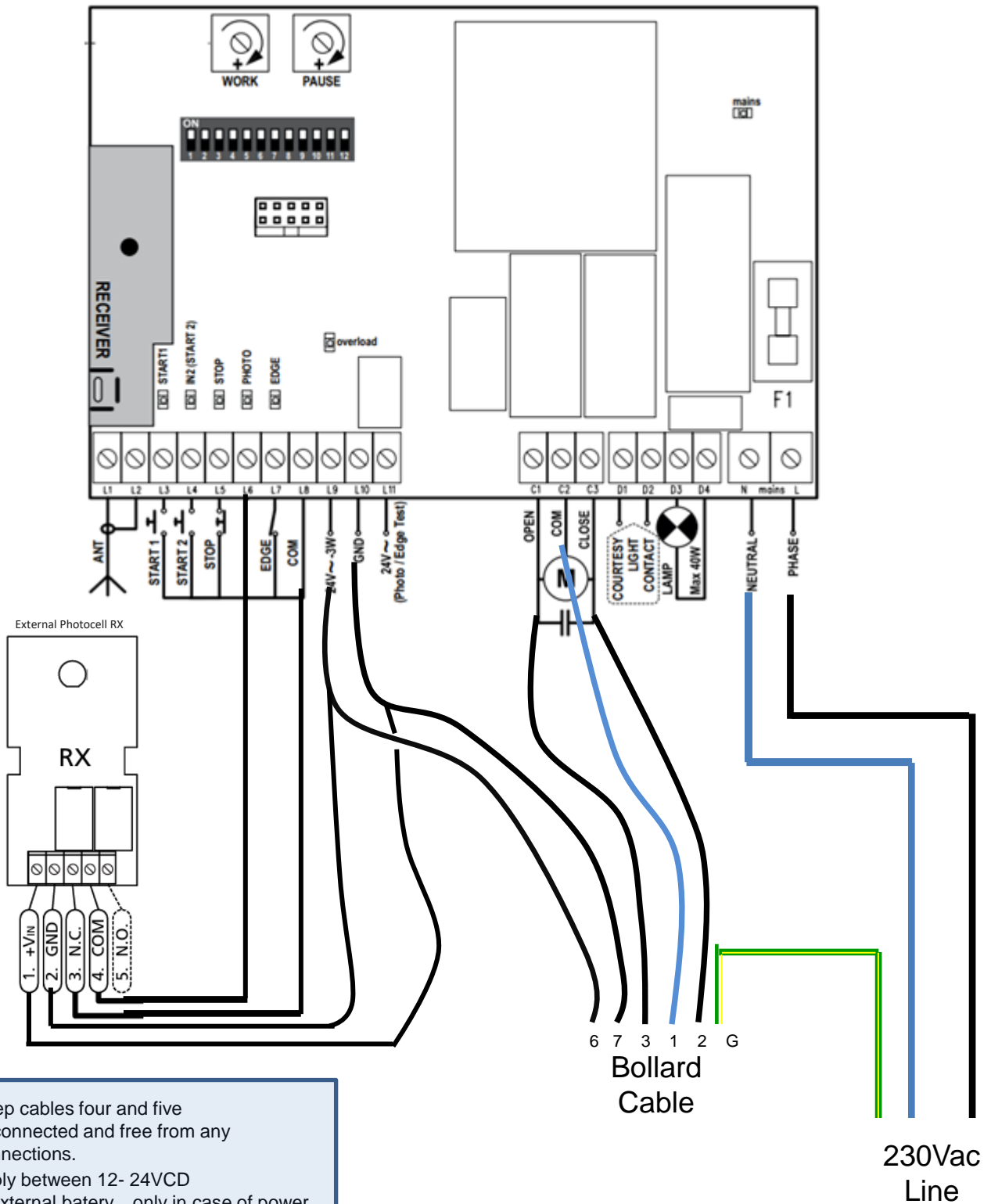


Quick Guide H6006



* Keep cables four and five unconnected and free from any connections.
Apply between 12- 24VCD of external battery...only in case of power failure and need to open acces

